



Display Cabinet

Plan No. 865

Copyright U-Build, Inc., 1997.
All rights reserved. Printed in the U.S.A.

Wall-mounted or placed on a table or countertop, this handsome display cabinet is the perfect way to share any collection while keeping it clean and protected at the same time. Featuring tempered glass doors and three shelves, the cabinet's design calls for all straight cuts and straightforward construction techniques (simple cut-outs give the effect of multiple panes of glass in the single-pane doors). Finish is up to the builder, so the project will match any decor.

The display cabinet measures about 32 inches wide by 22 inches tall by 9 inches deep, and the shelves are each about 7 inches deep.

Bill of Material

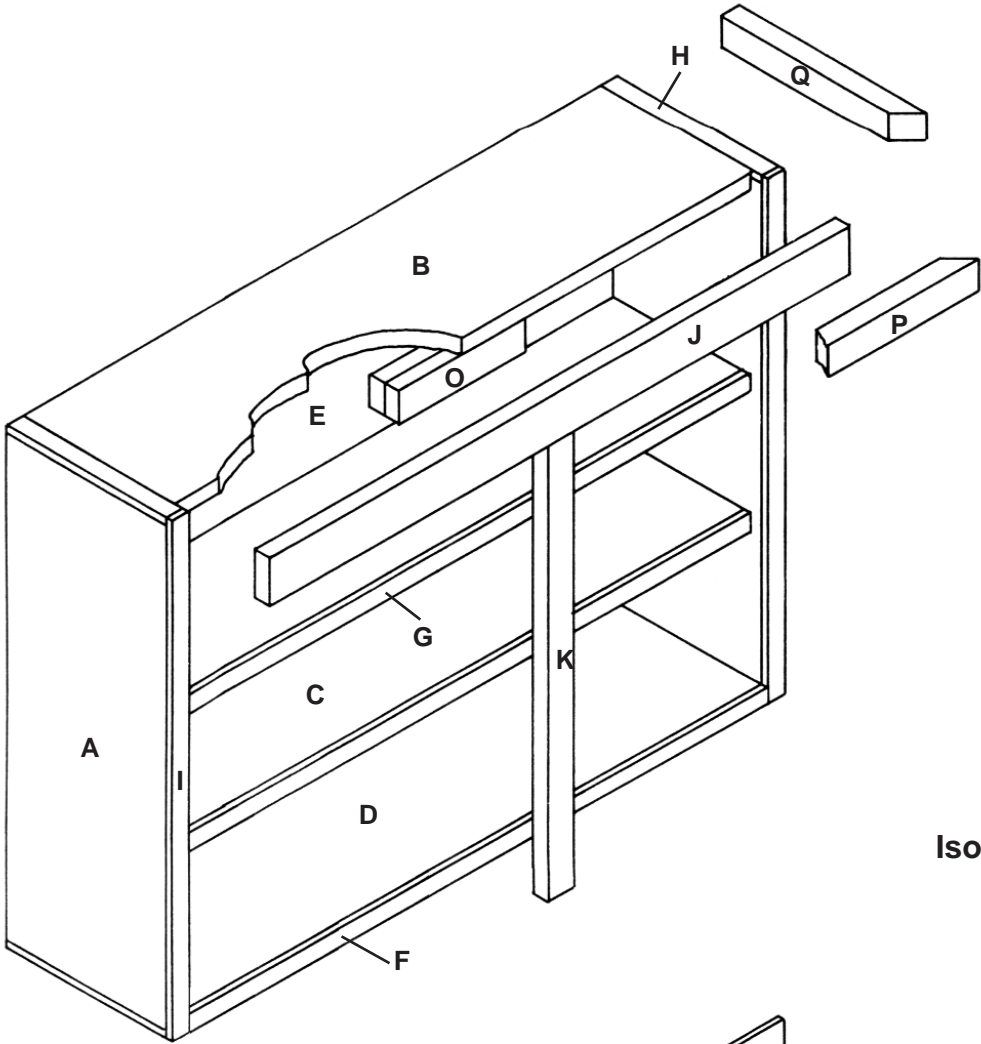
Quantity	Size	Material	Item
1	3/4" x 48" x 96"	oak plywood	A, B, C, D, E
4 board feet	3/4"	oak	F, G, H, I, J, K, L, M
1	3/16" x 24" x 24"	oak plywood	N
1	1 1/16" x 1 1/4" x 60"	oak molding	P, Q
2	1/8" x 11 3/8" x 17 1/8"	tempered glass	
9	3/8" x 1"	dowels	
2	1"	knobs	
2 pairs	1 1/2"	cabinet hinges	
8	5/16" x 3/4"	glass clips	
2		magnetic latches	
1 box	1"	finish nails	
1 box	1 1/2"	finish nails	
1 bottle		wood glue	
1 small can		oak wood filler	
1 quart		finish	

Cutting Schedule

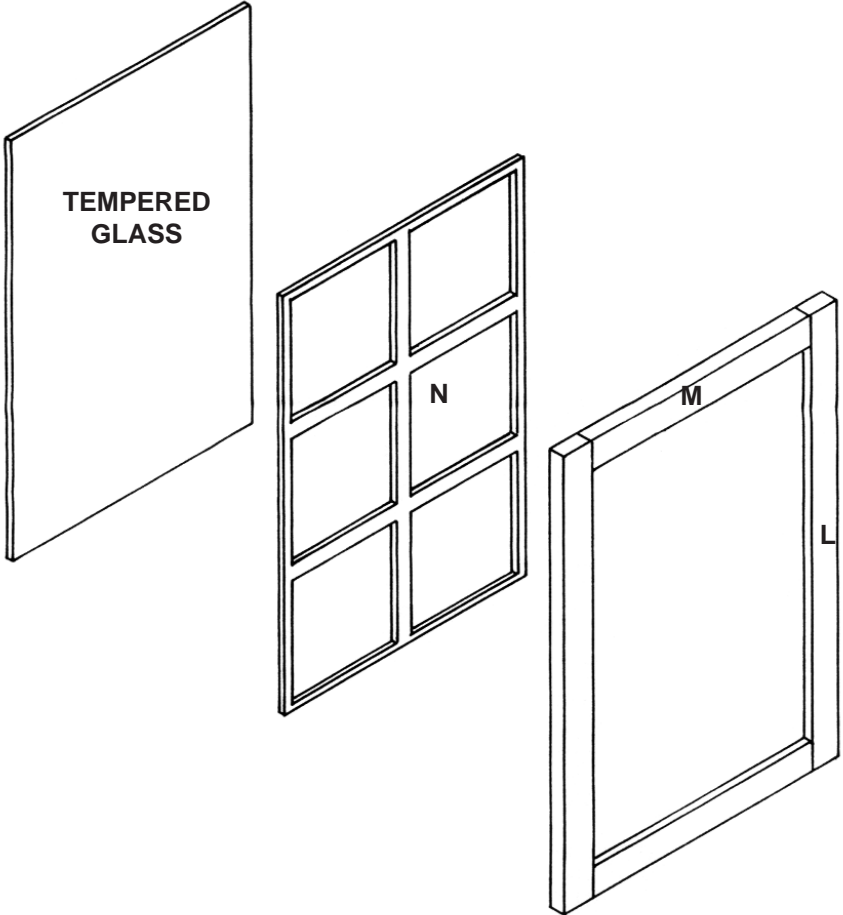
Item	Qty	T	W	L	Material
A	2	3/4"	7 3/4"	21 3/8"	oak plywood
B	1	3/4"	7 1/4"	28"	oak plywood
C	2	3/4"	6 1/4"	28"	oak plywood
D	1	3/4"	7 3/4"	28"	oak plywood
E	1	3/4"	28"	20 3/8"	oak plywood
F	1	1/4"	3/4"	28"	oak
G	2	1/4"	3/4"	28"	oak
H	4	1/4"	3/4"	7 3/4"	oak
I	2	1/4"	3/4"	21 7/8"	oak
J	1	3/4"	2"	28"	oak
K	1	3/4"	1 1/4"	19 1/8"	oak
L	4	3/4"	1 1/4"	19"	oak
M	4	3/4"	1 1/4"	10 3/4"	oak
N	2	3/16"	11 1/2"	17 1/4"	oak plywood
O	2	3/4"	1 1/4"	6"	oak
P	1	1 1/16"	1 1/4"	31 5/8"	oak molding
Q	2	1 1/16"	1 1/4"	9 1/16"	oak molding

NOTES

1. Read all instructions and check materials before beginning work.
2. Read manufacturer's instructions before operating equipment.
3. Cut all wood to exact size. Follow the cutting schedule.
4. **Always** wear safety glasses.
5. Use wood glue on all joints.
6. Drill pilot holes in oak before nailing.



Isometric



Assembly Instructions

Page One

Read all instructions before beginning any work. Cut all material to sizes shown in cutting schedule.

1. Use 1" nails and glue to attach boards H and I to boards A. Attach G to C and F to D in the same manner. Refer to Figures 1 and 2 and isometric.

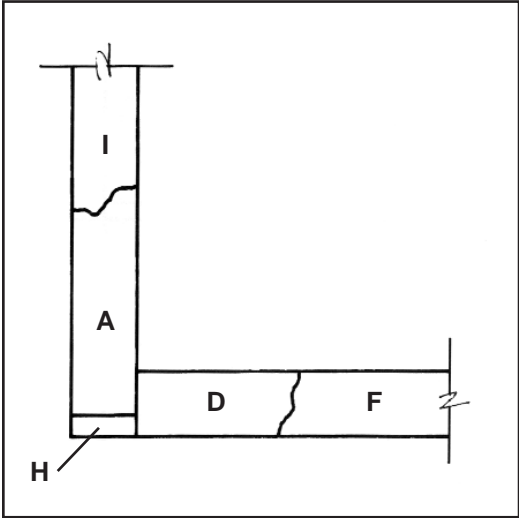


Figure 1

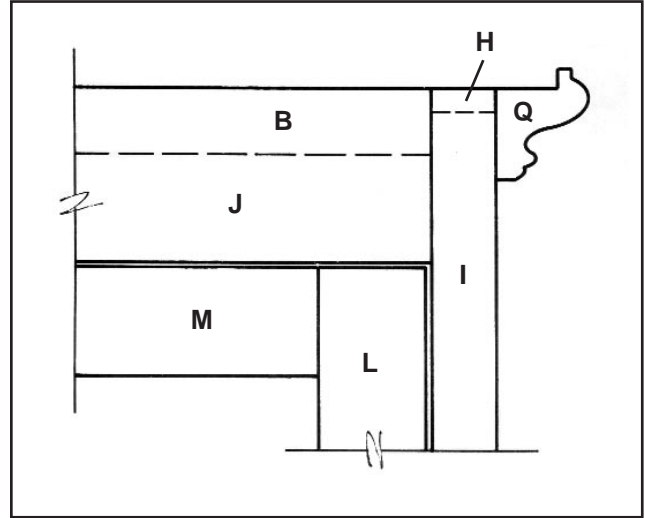


Figure 2

(Note: Part "P" is not shown.)

2. Use 1 1/2" finish nails and glue to attach boards C to E. Make sure that the boards line up square. Refer to isometric and Figure 3 for location.

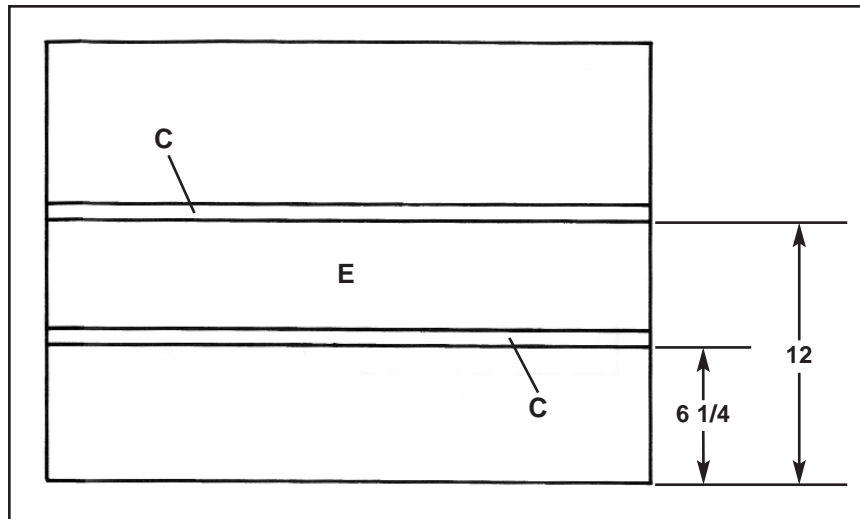


Figure 3

3. Use 1 1/2" finish nails and glue to attach boards B and D to E.
4. Use 1 1/2" finish nails and glue to attach boards A to B, C, D and E. Refer to Figures 1 and 2.

Assembly Instructions

Page Two

Read all instructions before beginning any work. Cut all material to sizes shown in cutting schedule.

5. Drill a 3/8" hole in boards M and L for 1" dowel. Refer to Figures 4 and 5.
5. Drill a 3/8" hole in boards J and K. Refer to Figure 6.

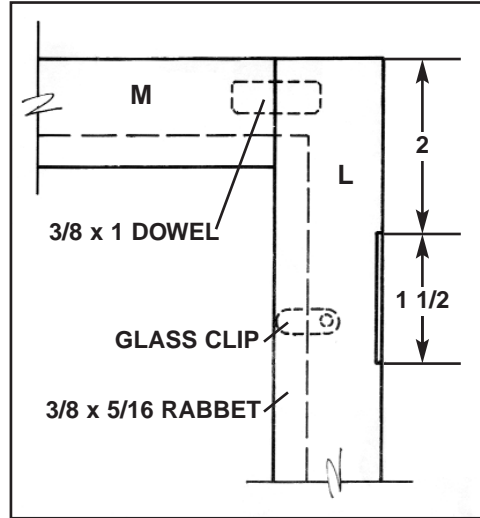


Figure 4

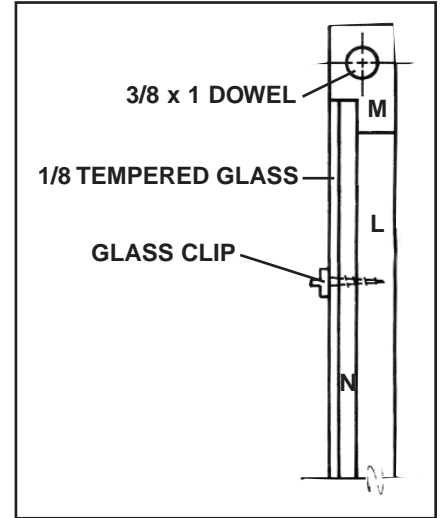


Figure 5

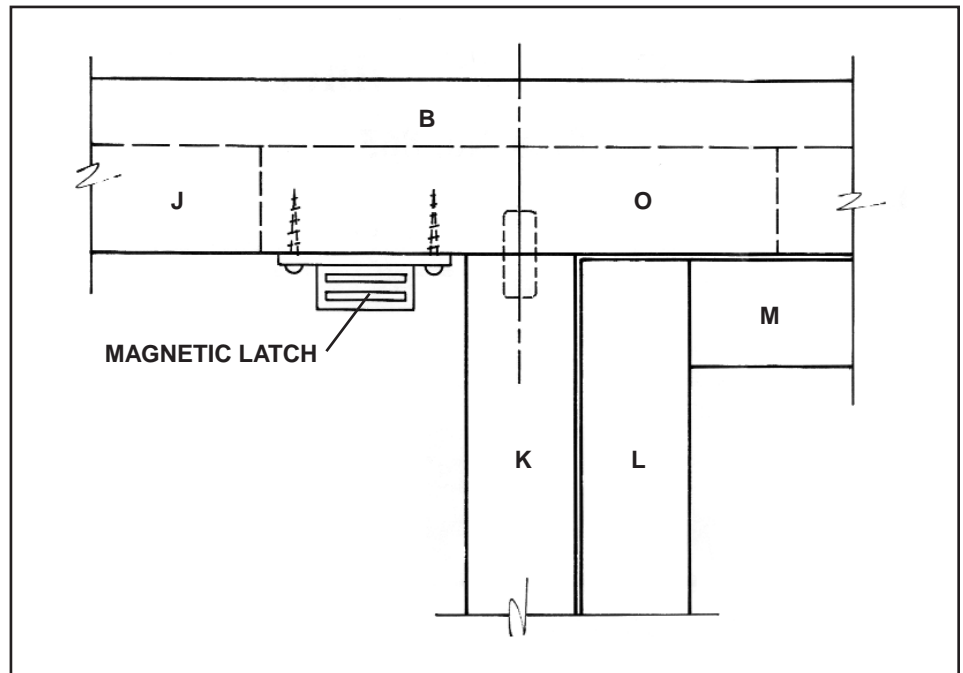


Figure 6

6. Use 3/8" x 1" dowels and yellow glue to attach boards K to J. Use the same procedure for door frame.
7. Use 1 1/2" finish nails and glue to attach J and K to A, B and D. Refer to isometric.

Assembly Instructions

Page Three

Read all instructions before beginning any work. Cut all material to sizes shown in cutting schedule.

8. Drill a large hole in one of the panels. Use a jigsaw or scrollsaw to cut out the six openings in board N. Refer to Figure 7.

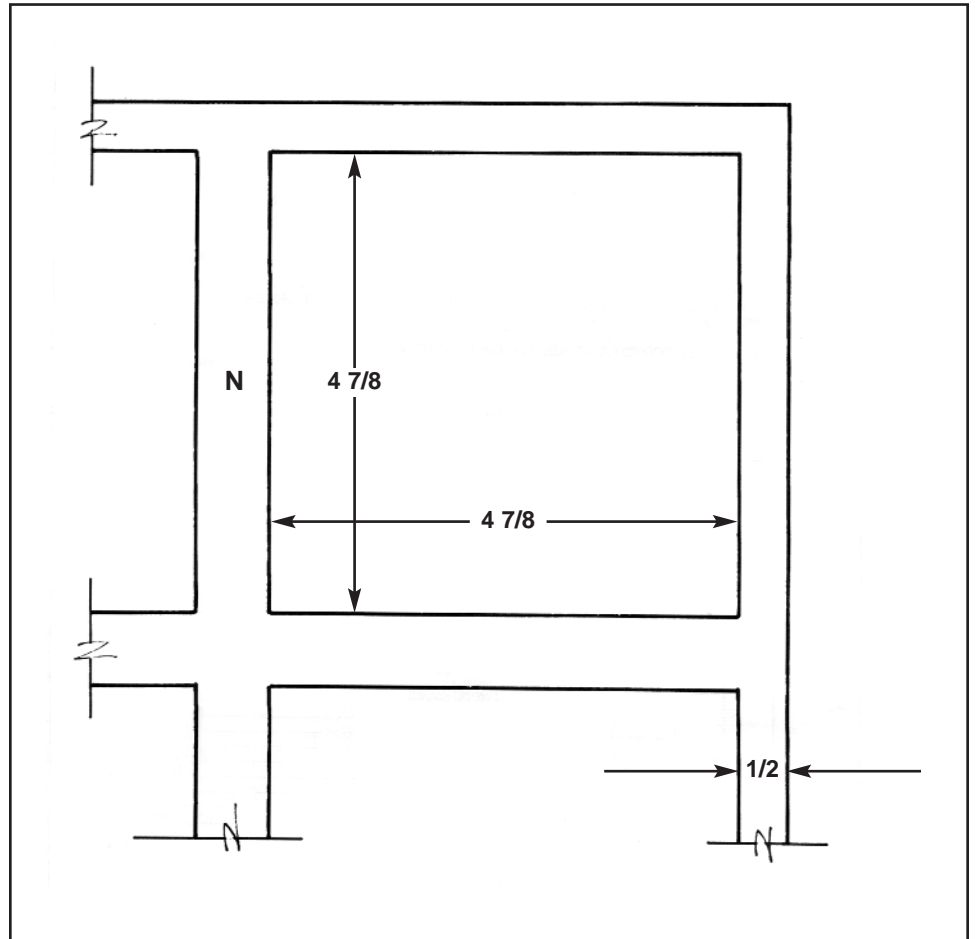


Figure 7

9. Glue two O boards to the inside face of board J. Refer to Figure 6 and isometric.
10. Cut and attach molding P and Q. Use 1" finish nails and glue. Refer to Figure 2 and Isometric.
11. Cut a small gain in board L door frame to accommodate hinges. The depth of the gain will be determined by the size of the hinge and the amount of clearance around the door.
12. Rout a 3/8" x 5/16" deep rabbet on the inside edge of door L and M. Refer to Figures 4 and 5.
13. Apply finish at this time. Locate knobs in the middle of board L. Attach hinges and glass supports. Insert panel N and glass. Attach two magnetic latches to board O for doors. Refer to Figures 4, 5 and 6.